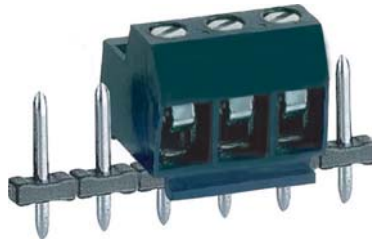
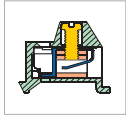


MD110 Connector, Plug



MD

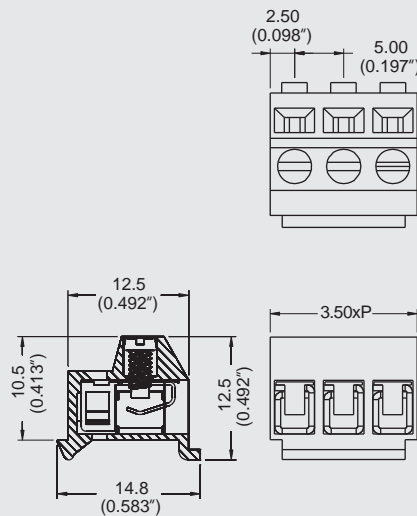
DIMENSIONS/POSITIONS

MD110-500

間距	Pitch	5.00mm
位數	Poles	2 ~ 24Poles
塑膠本體	Housing Material	PA 66
壓線圈	Cage Clamp	Brass, Tin Plated
夾片	Contact	Phosphor Bronze, Tin Plated
螺紋	Screw Thread	M2.6, Steel, Zinc Plated
電線線徑	Wire Size	16 ~ 24AWG
剝線長度	Wire Strip Length	6mm
最大緊固扭矩	Tightening Torque, Max.	3.0 Lb-in
環境作業溫度	Operating Temperature	-40°C to +105°C

TECHNICAL DATA

連接符合標準 Connection in acc. with standard EN-VDE		
額定電流 I _n	Nominal Current I _n	15A
額定橫截面	Nominal Cross Section	1.5mm ²
最大負載電流	Maximum load current	15A
絕緣材料	Insulating Material	PA
阻燃等級,符合UL94 Inflammability class acc. to UL94		V0
額定電壓,UL/CUL Nominal voltage, UL/CUL		300V
額定電流,UL/CUL Nominal current, UL/CUL		15A



Note:
Screw Plating: Changes are available upon request